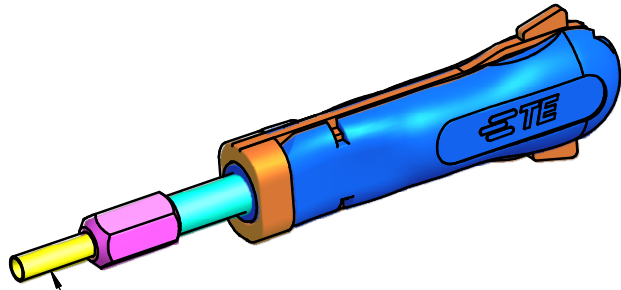
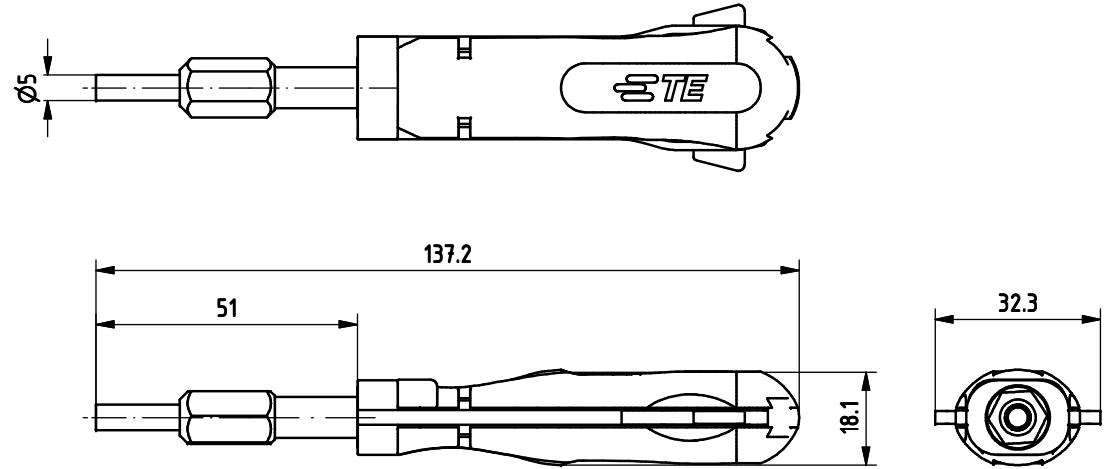


THIS DRAWING IS UNPUBLISHED. RELEASED FOR PUBLICATION
 © COPYRIGHT - BY TYCO ELECTRONICS CORPORATION. ALL INTERNATIONAL RIGHTS RESERVED.

LOC	DIST	REVISIONS			
P	LTR	DESCRIPTION	DATE	DWN	APVD
AI	00	B	ECR-11-016948	19AUG11	LS GS

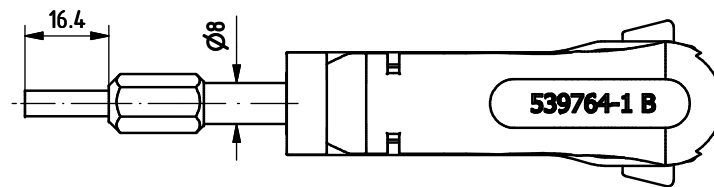


SPARE PART / Ersatzteil
 TE- P/N 5-1579007-9



APPLICATION RANGE / Anwendungsbereich:

Contact MNL Ø 3.5mm 925712



THIS DRAWING IS A CONTROLLED DOCUMENT.		DWN J. Zajicek 16 JAN03	STE TE Connectivity			
DIMENSIONS: mm		CHK J. Zajicek 16 JAN03				
TOLERANCES UNLESS OTHERWISE SPECIFIED: 0 PLC +0.1 1 PLC +0.05 2 PLC +0.02 3 PLC +0.01 4 PLC ±0.005 ANGLES ±		APVD J. Zajicek 16 JAN03	NAME EXTRACTION TOOL Entriegelungswerkzeug			
MATERIAL		FINISH	SIZE A3	CAGE CODE 00779	DRAWING NO C= 539764-1	RESTRICTED TO
		CUSTOMER DRAWING		SCALE 1:1	SHEET 1 of 1	REV B